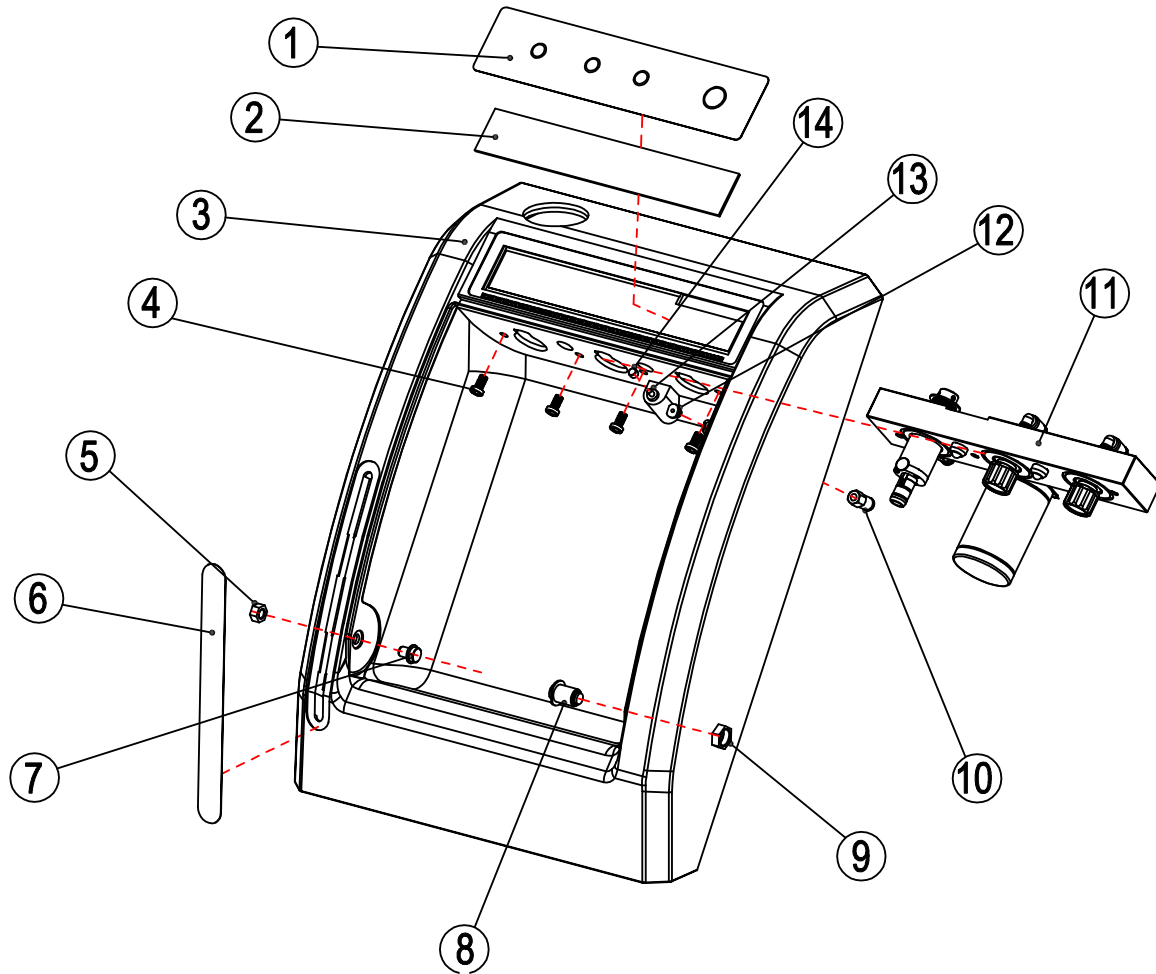


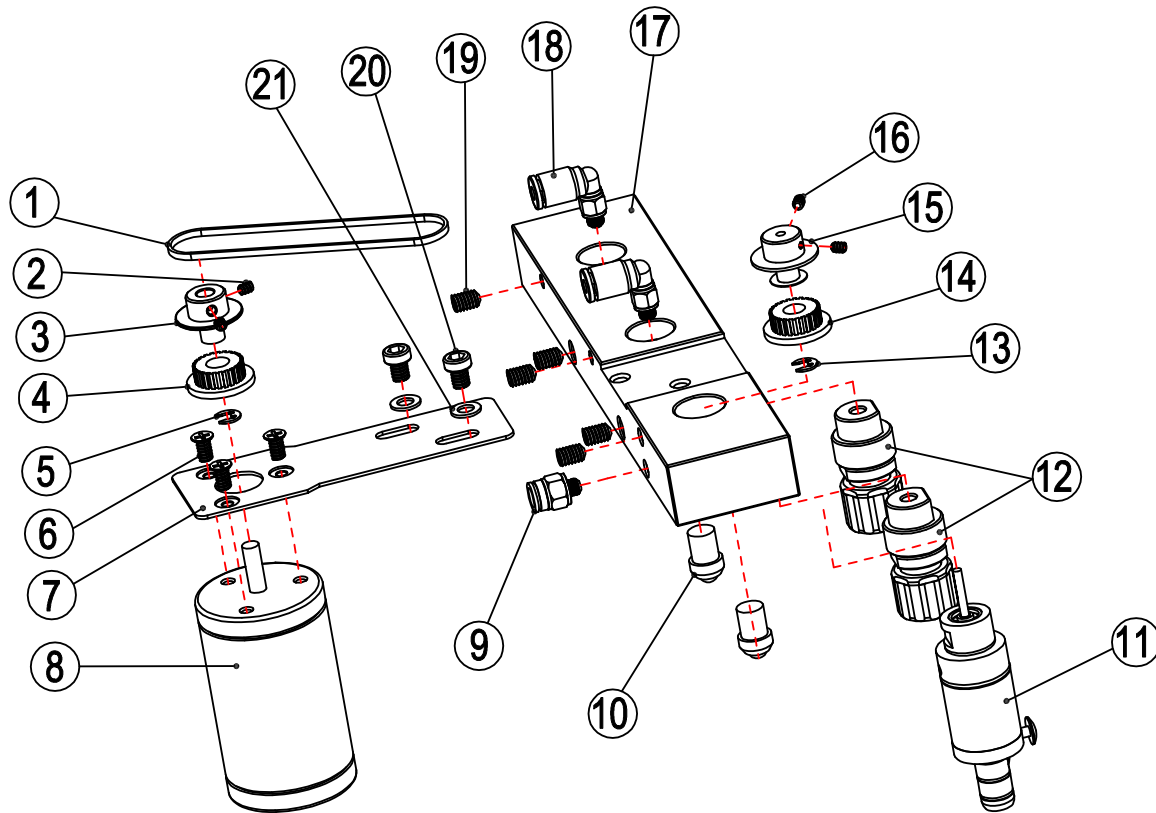
Lube Station Parts list Section 1



Parts list Front Assembly.

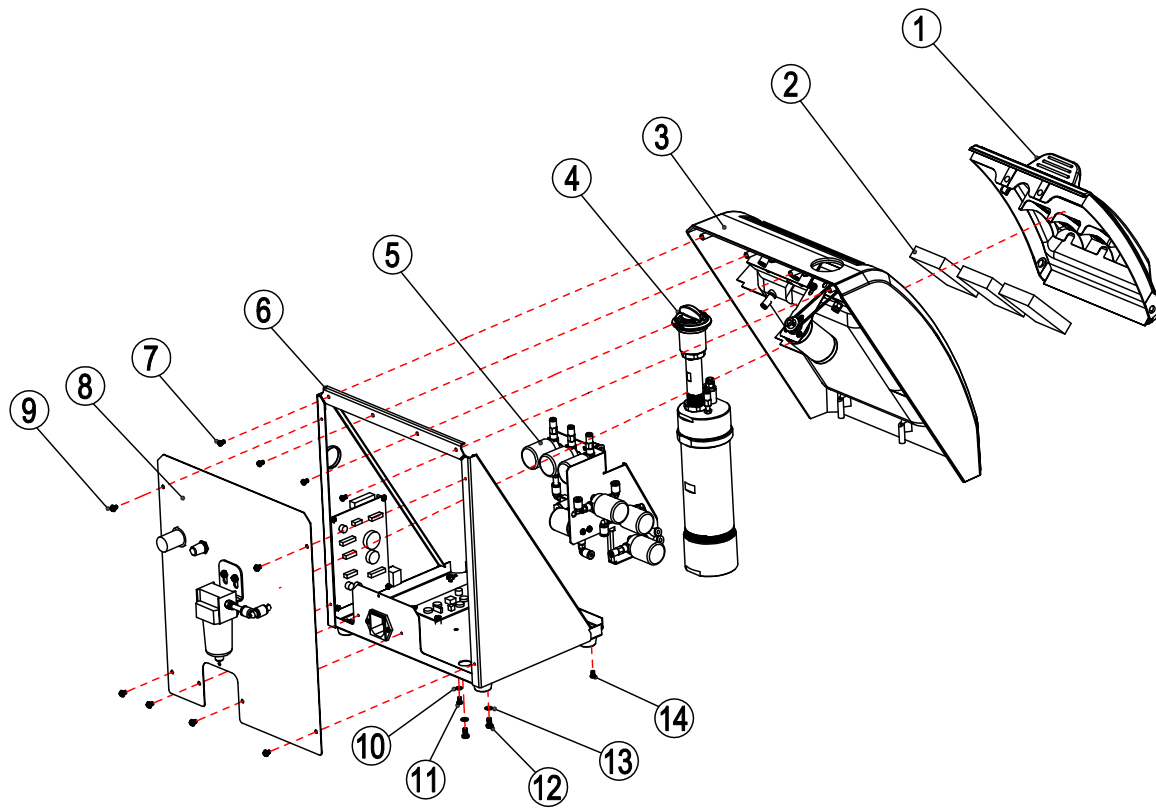
NO.	Name	Part Number	QTY	Price
1	Display Membrane Cover	HPL-1-1	1	
2	Display PCB	HPL-1-2	1	
3	Front Cover	HPL-1-3	1	
4	Screw	HPL-1-4	4	
5	Nut	HPL-1-5	2	
6	Level Indicator Label	HPL-1-6	1	
7	L Side Door Hinge	HPL-1-7	1	
8	R Side Door Hinge	HPL-1-8	1	
9	Nut	HPL-1-9	2	
10	Compression Fitting	HPL-1-10	1	
11	Drive Manifold	HPL-1-11	1	
12	Exhaust Cap	HPL-1-12	1	
13	Door Sensor	HPL-1-13	1	
14	Door Sensor Cap	HPL-1-14	1	

Manifold Assembly Section 2

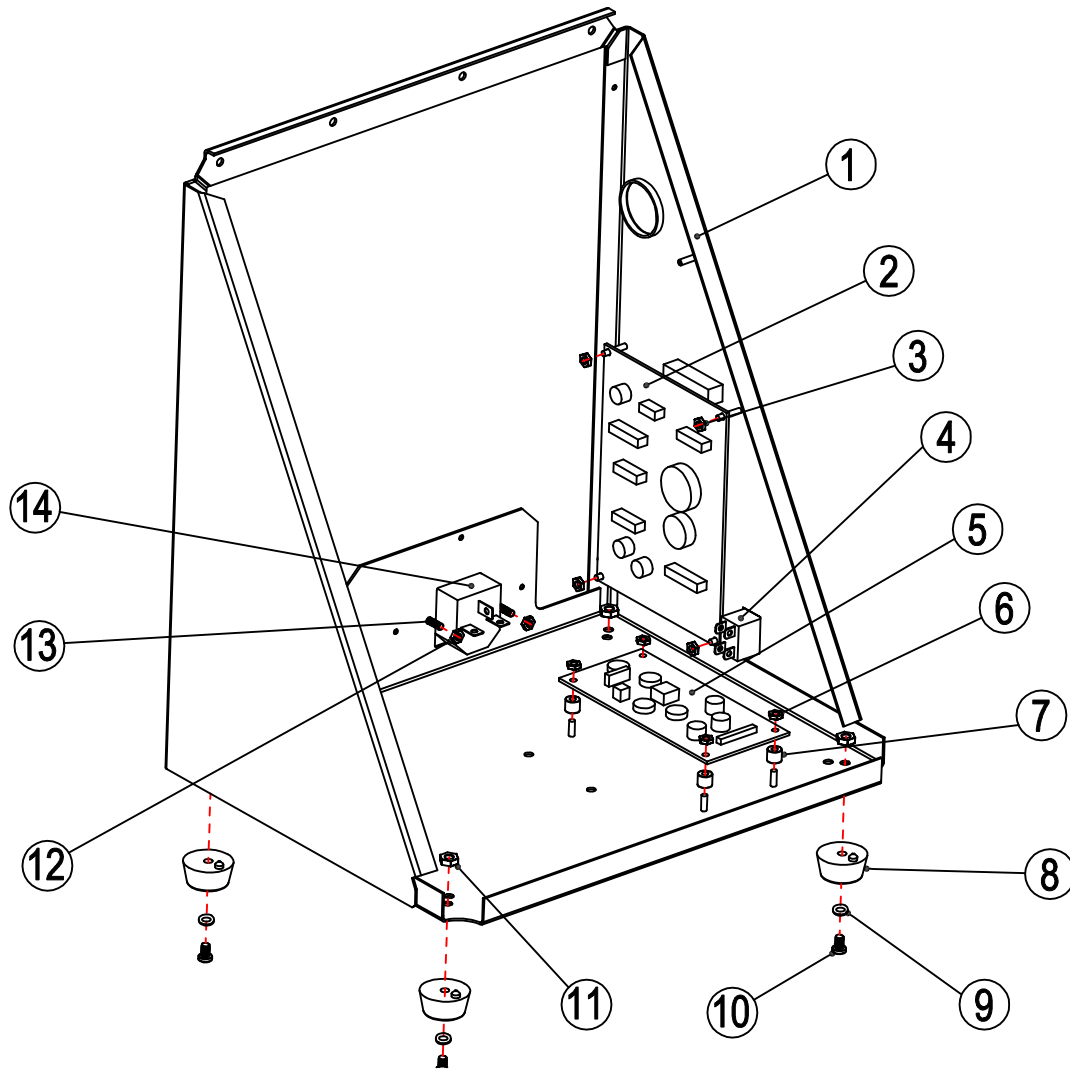


NO.	Name	Part Number	QTY	Price\$
1	Belt	HPL-2-1	1	
2	Set Screw	HPL-2-2	2	
3	Gear Cap	HPL-2-3	2	
4	Gear	HPL-2-4	2	
5	C-Clip	HPL-2-5	2	
6	Screw	HPL-2-6	2	
7	Mounting Plate	HPL-2-7	1	
8	Motor	HPL-2-8		
9	Straight Compression Fitting	HPL-2-9		
10	Door Ball Bearing	HPL-2-10	2	
11	E-Type Spindle Complete	HPL-2-11	2	
12	4 hole HP adaptor	HPL-2-12	1	
17	Manifold	HPL-2-17		
18	90 Degree Compression Fitting	HPL-2-18		
19	Set Screw	HPL-2-19		
20	Screw	HPL-2-20		
21	Lock Washer	HPL-2-21		
	16,15,14,13 See Parts 2,3,4,5	Same		

Lube Station Parts list Section 3



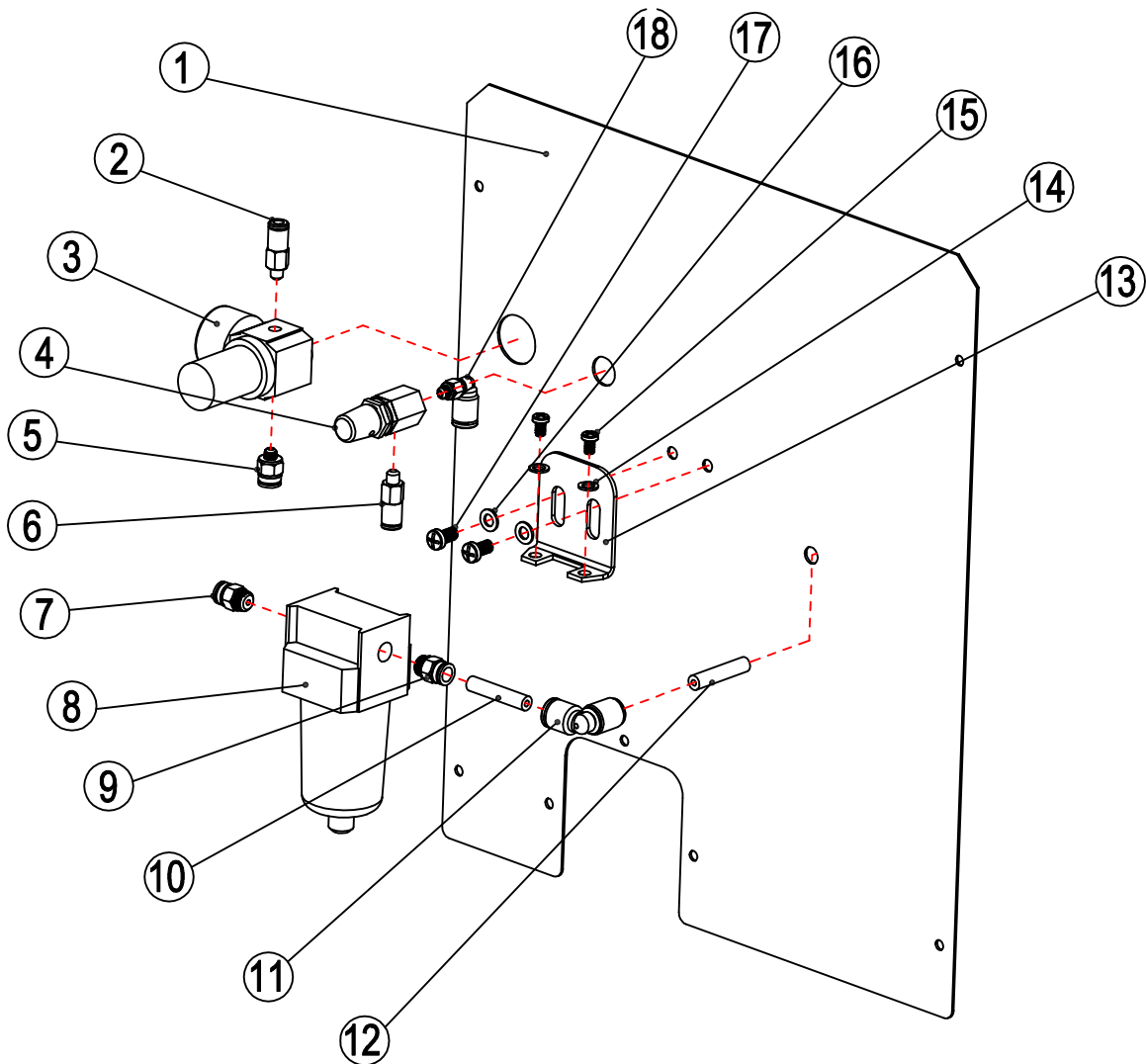
NO.	Name	Part Number	QTY	Price\$
1	Door	HPL-3-1	1	
2	Absorbent oil pads	HPL-3-2	3	
3	Front cover	HPL-1-3	1	
4	Oil Tank	HPL-3-4	1	
5	Solenoid Manifold Complete	HPL-3-5	1	
6	Frame	HPL-3-6	1	
7	Screw	HPL-3-7	3	
8	Back Cover W/ Separator	HPL-3-8	1	
9	Screw	HPL-3-9	6	
10	Washer	HPL-3-10	2	
11	Tank Drain Screw	HPL-3-11	1	
12	Tank Screw	HPL-3-12	2	
13	Washer	HPL-3-13	2	
14	Screw	HPL-3-14	4	



Over View Section 4

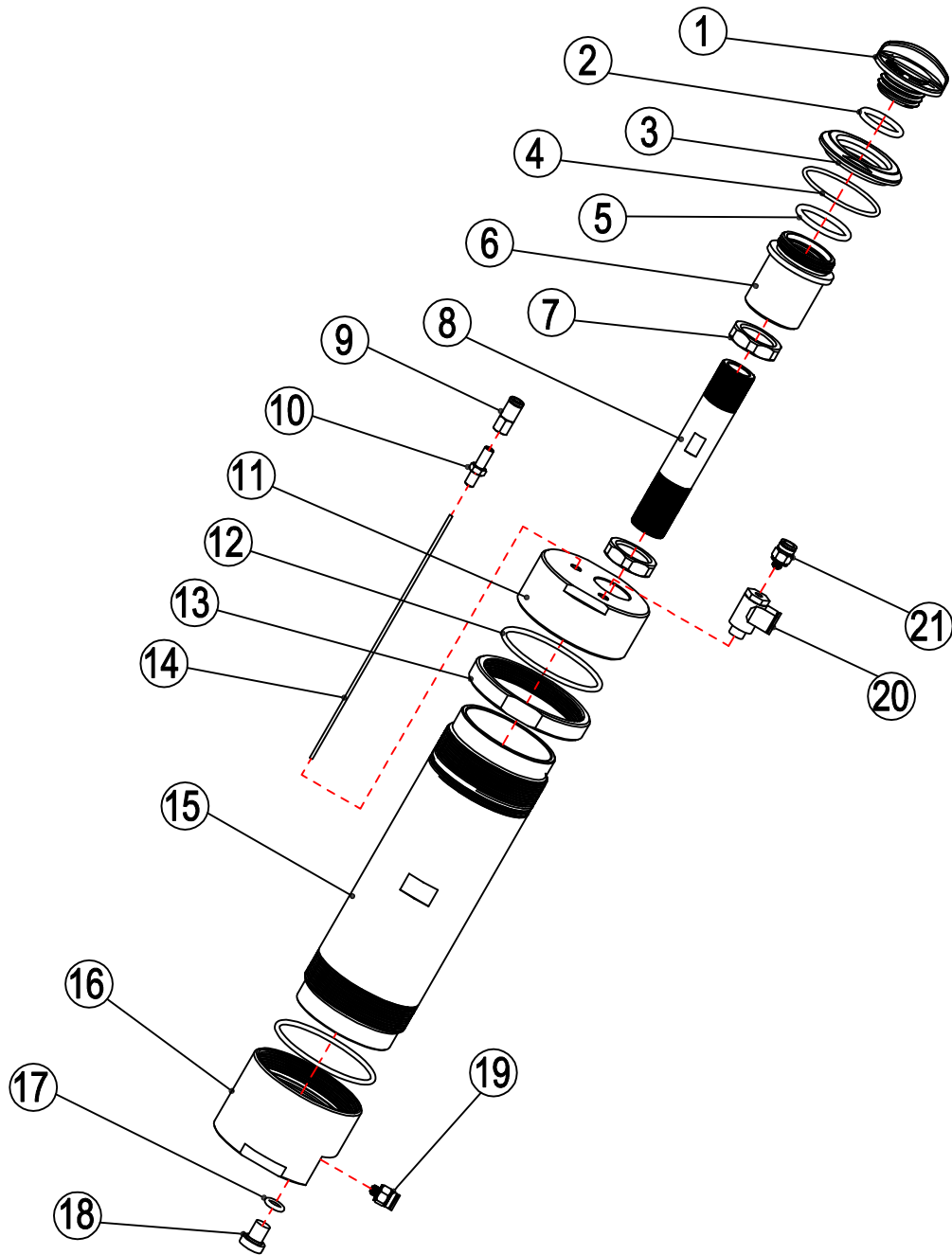
NO.	Name	Part Number	QTY	Price\$
1	Frame	HPL-4-1	1	
2	Main Control PCB	HPL-4-2	11	
3	Screw	HPL-4-3	4	
4	Main Power Switch	HPL-4-4	1	
5	Main Power Board	HPL-4-5	1	
6	Screw	HPL-4-66	4	
7	Offset	HPL-4-7	4	
8	Foot	HPL-4-8	4	
9	Washer	HPL-4-9	4	
10	Screw	HPL-4-10	4	
11	Nut	HPL-4-11	4	
12	Nut	HPL-4-12	2	
13	Screw	HPL-4-13	2	

14	Power inlet	HPL-4-14	1	
----	-------------	----------	---	--



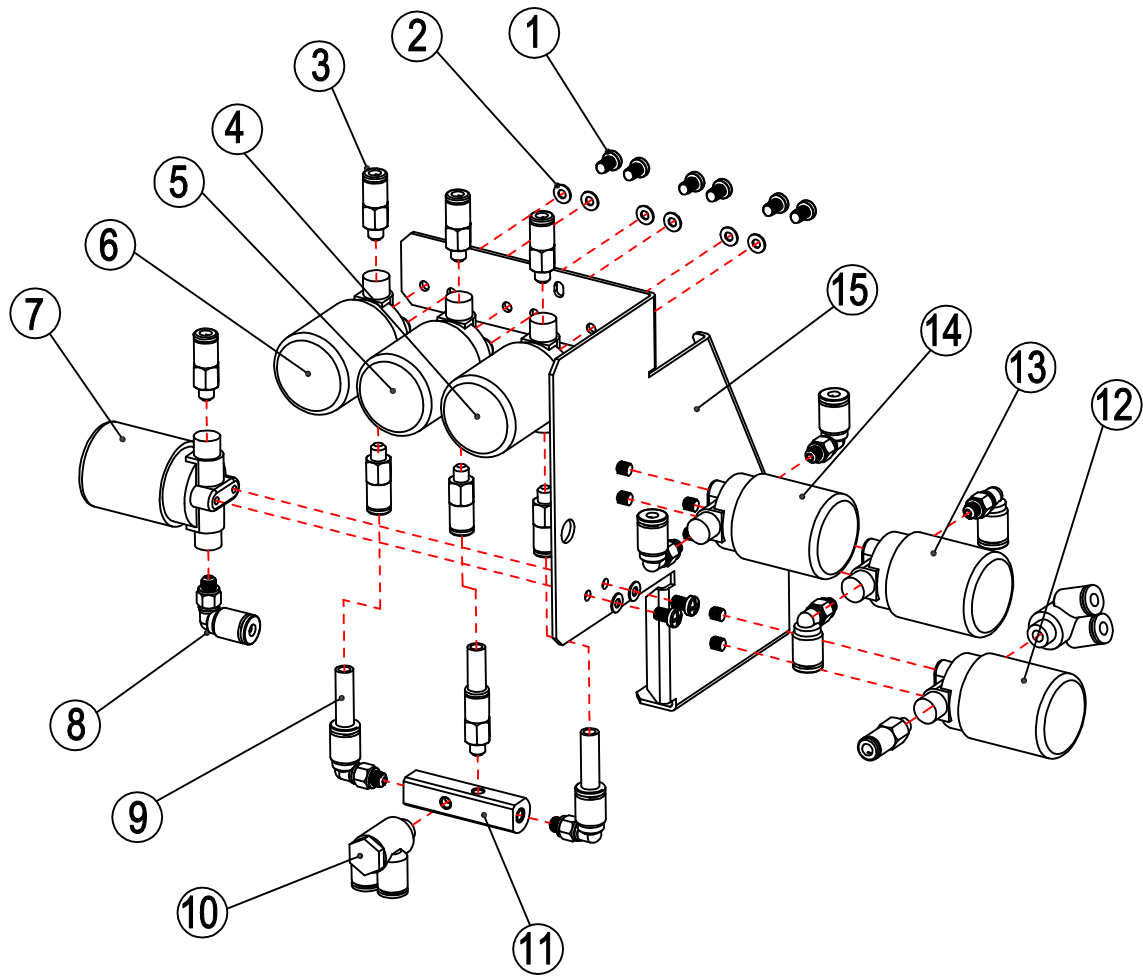
NO.	Name	Part Number	QTY	Price\$
1	Back cover	HPL-5-1	1	
2	Straight Compression Fitting	HPL-5-2	1	
3	Pressure Regulator	HPL-5-3	1	
4	Needle Valve	HPL-5-4	1	
5	Straight Compression Fitting	HPL-5-5	1	
6	Straight Compression Fitting	HPL-5-6	1	
7	Straight Compression Fitting	HPL-5-7	1	
8	Moisture Separator / Filter	HPL-5-8	1	
9	Straight Compression Fitting	HPL-5-9	1	
10	Tube	HPL-5-10	1	
11	90 Compression elbow	HPL-5-11	1	

12	Tubing	HPL-5-12	1	
13	Bracket	HPL-5-13	1	
14	Washer	HPL-5-14	1	
15	Screw	HPL-5-15	2	
16	Washer	HPL-5-16	2	
17	screw	HPL-5-17	2	
18	90 compression fitting.	HPL-5-18	1	



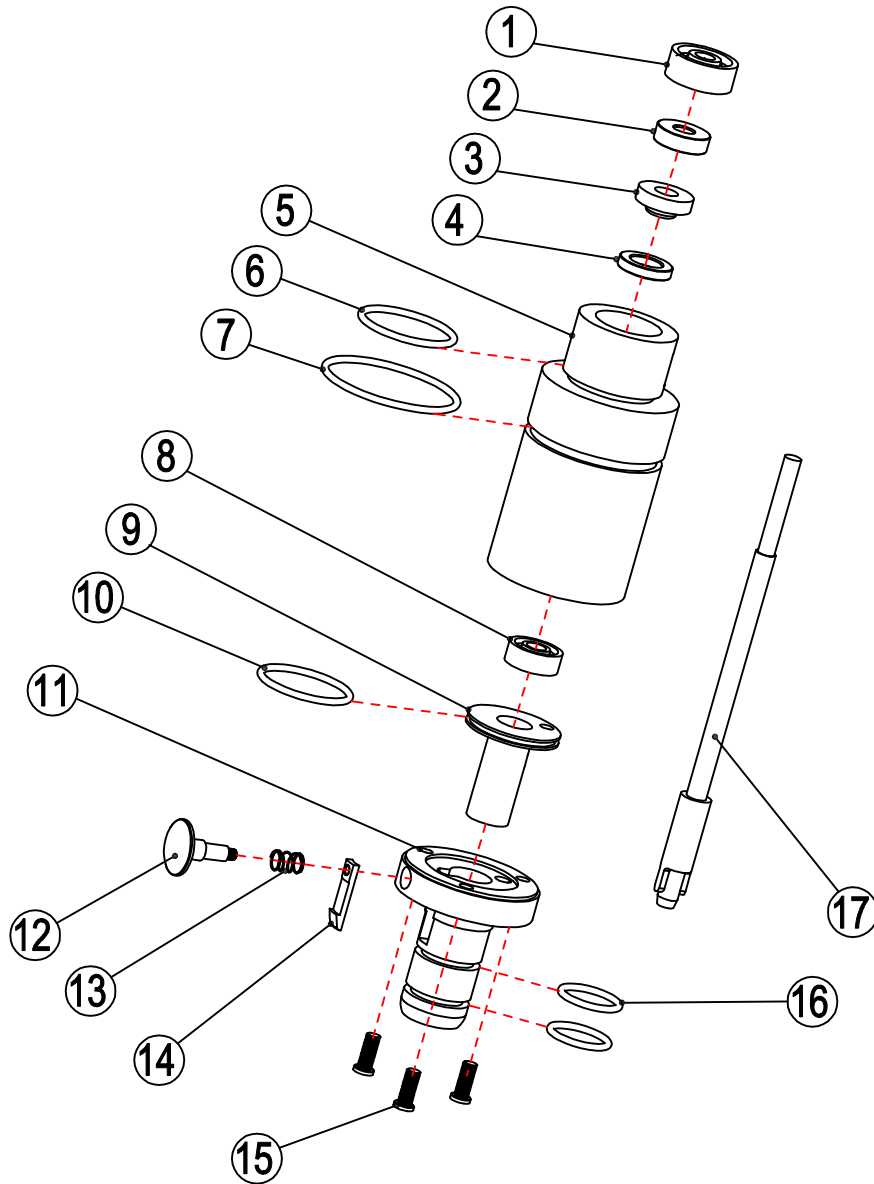
NO.	Name	Part Number	QTY	Price\$
1	Oil Tank Cap	HPL-6-1	1	
2	Oil Cap O ring	HPL-6-2	1	
3	Cosmetic Nut	HPL-6-3	1	
4	O-Ring	HPL-6-4	1	
5	O-Ring	HPL-6-5	1	
6	Union	HPL-6-6	1	
7	Nut	HPL-6-7	1	
8	Extension	HPL-6-8	1	

9	Compression Fitting	HPL-6-9	1	
10	Adaptor	HPL-6-10	1	
11	Oil Tank Top Cover	HPL-6-11	1	
12	O Ring	HPL-6-12	1	
13	Nut	HPL-6-13	1	
14	Pick Up Tube	HPL-6-14	1	
15	Tank Center	HPL-6-15	1	
16	Tank Bottom	HPL-6-16	1	
17	O-Ring	HPL-6-17	1	
18	Drain Screw	HPL-6-18	1	
19	Compression Fitting	HPL-6-19	1	



NO.	Name	Part Number	QTY	Price
1	Screw	HPL-7-1	14	
2	Washer	HPL-7-2	14	
3	Straight Compression Fitting	HPL-7-3	9	
4	Solenoid #	HPL-7-4	1	
5	Solenoid #	HPL-7-5	1	
6	Solenoid #	HPL-7-6	1	
7	Solenoid #	HPL-7-7	1	
8	90 Degree Compression Fitting	HPL-7-8	6	
9	Tube	HPL-7-9	3	
10	Mixer Bell Compression Fitting	HPL-7-10	2	
11	Mixer Bell Manifold	HPL-7-11	1	

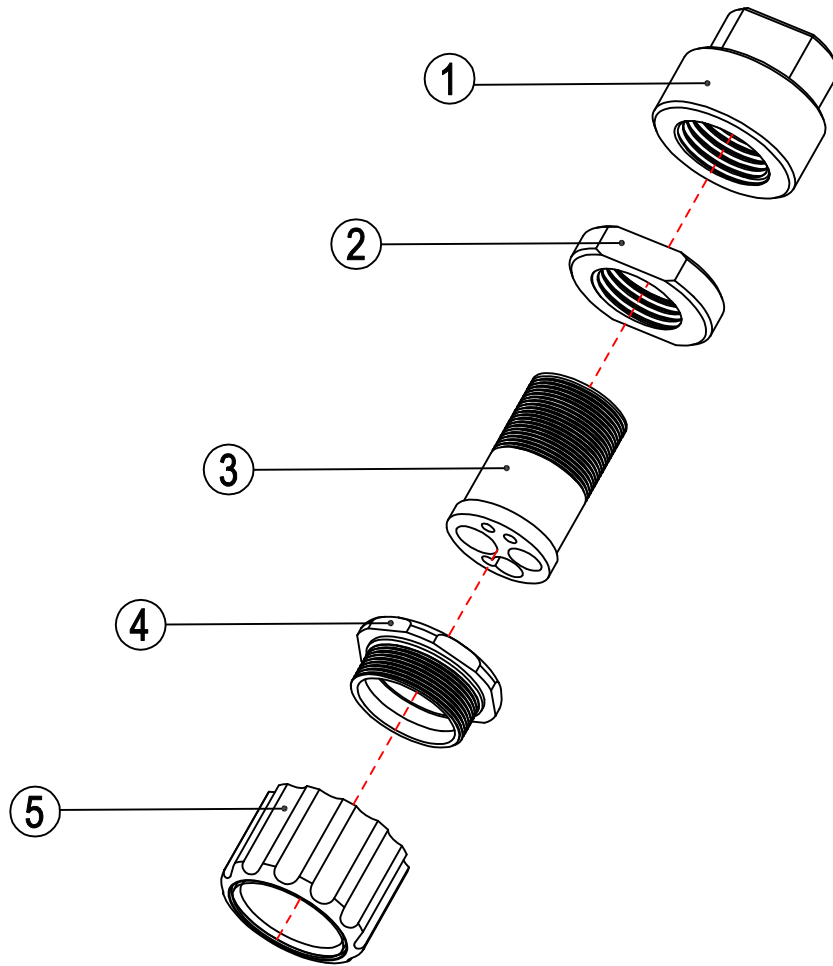
12	Solenoid #	HPL-7-12	1	
13	Solenoid #	HPL-7-13	1	
14	Solenoid #	HPL-7-14	1	
15	Solenoid Frame	HPL-7-15	1	



NO.	Name	Part Number	QTY	Price
1	Bearing	HPL-8-1	1	
2	Spacer	HPL-8-2	1	
3	Spacer	HPL-8-3	1	
4	Washer	HPL-8-4	1	
5	Spindle housing	HPL-8-5	1	

6	o-ring	HPL-8-6	1	
7	O-Ring	HPL-8-7	1	
8	Bearing	HPL-8-8	1	
9	E-adaptor Insert	HPL-8-9	1	
10	O-Ring	HPL-8-10	1	
11	E-adaptor housing	HPL-8-11	1	
12	Button	HPL-8-12	1	
13	Spring	HPL-8-13	1	
14	Latch	HPL-8-14	1	
15	Screw	HPL-8-15	3	
16	O-Ring	HPL-8-16	2	
17	Spindle	HPL-8-17	1	

5 Hole HP Nut Section 9



NO.	Name	Part Number	QTY	Price
1	Nut Socket	HPL-9-1	1	
2	Tension Nut	HPL-9-2	1	
3	5 Hole Port	HPL-9-3	1	
4	Nut Cap	HPL-9-4	1	
5	Nut	HPL-9-5	1	